

# TP2500

## PALLET TRUCK SCALE

LAUMAS®



M



Capacity up to 2500 kg



CAPACITY	kg		FORKS DIMENSIONS (mm)	NET WEIGHT (kg)	CODE
2500		-	1155 x 560 mm	118	TP2500
2500		R60 C3	1155 x 560 mm	118	TP2500M

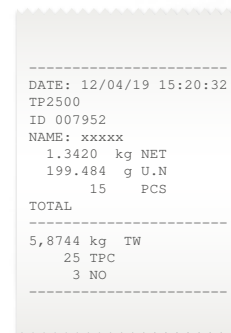
### DESCRIPTION

- Pallet truck scale with integrated weighing system.
- Legal for trade use CE-M approved versions, class III, with CE marking and conformity assessment (initial verification) according to 2014/31/UE, EN 45501, OIML R76.
- High strength steel forks (thickness: 4 mm).
- WDESKL weight indicator, IP67 protection rating (to know the functions and technical features of the instrument, refer to the dedicated data sheet).
- 4 load cells FTP 1000 kg  
AISI 420 stainless steel - IP68 (on request: IP69K).
- Rubber steering wheels (Ø200 mm) and polyurethane fork roller.
- 12 V rechargeable battery, 7 Ah capacity, supplied already installed inside the column of the pallet truck scale. Operating time: 16 hours.
- Power supply included.
- Switch inclinometer included in the approved version, maximum inclination: 3.5%.

### MAIN FUNCTIONS

- Net/gross weight.
- Piece counting.
- Weight totalizing.
- Non-fiscal receipt printing via integrated thermal printer (option on request).

Printout example refers to the integrated printer.

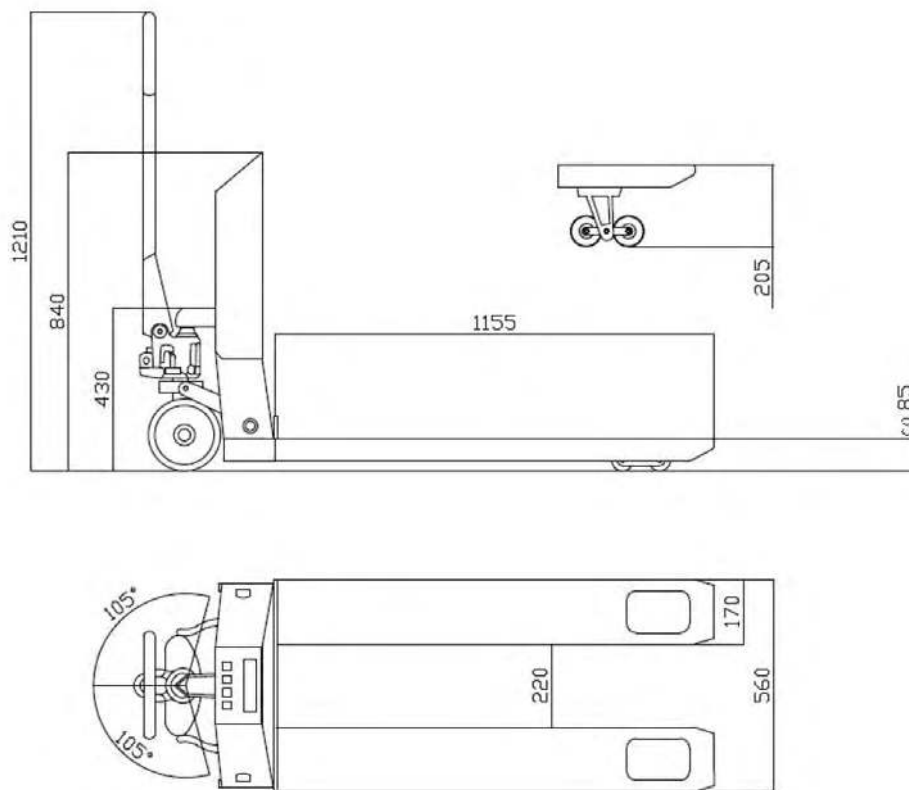


# TP2500



## PALLET TRUCK SCALE

LAUMAS®

### DIMENSIONS (mm)



### OPTIONS ON REQUEST

	DESCRIPTION	CODE
	Integrated thermal printer: 24 columns, paper end sensor and head temperature sensor, energy saving mode, operating temperature: -20÷70 °C, operating humidity: 20%÷80%, paper roll included (width: 58 mm - grammage: 55÷70 g/m <sup>2</sup> - outside diameter: 50 mm).	OPZTPSTA
	Alibi memory.	OPZWALIBI