



CAPACITY	kg	DIVISION	(g)	NET WEIGHT	(kg)	CODE
6		e=0.2		2.8		LACSN6
15		e=0.5		2.8		LACSN15
30		e=1		2.8		LACSN30

DESCRIPTION

- Stainless steel plate.
- 6-digit backlit LCD display (30 mm height).
- 8-key waterproof keyboard.
- Bubble level and adjustable feet.
- 4 V rechargeable internal battery, 4 Ah capacity.
- Operating time: 70 hours.
- Power supply included.

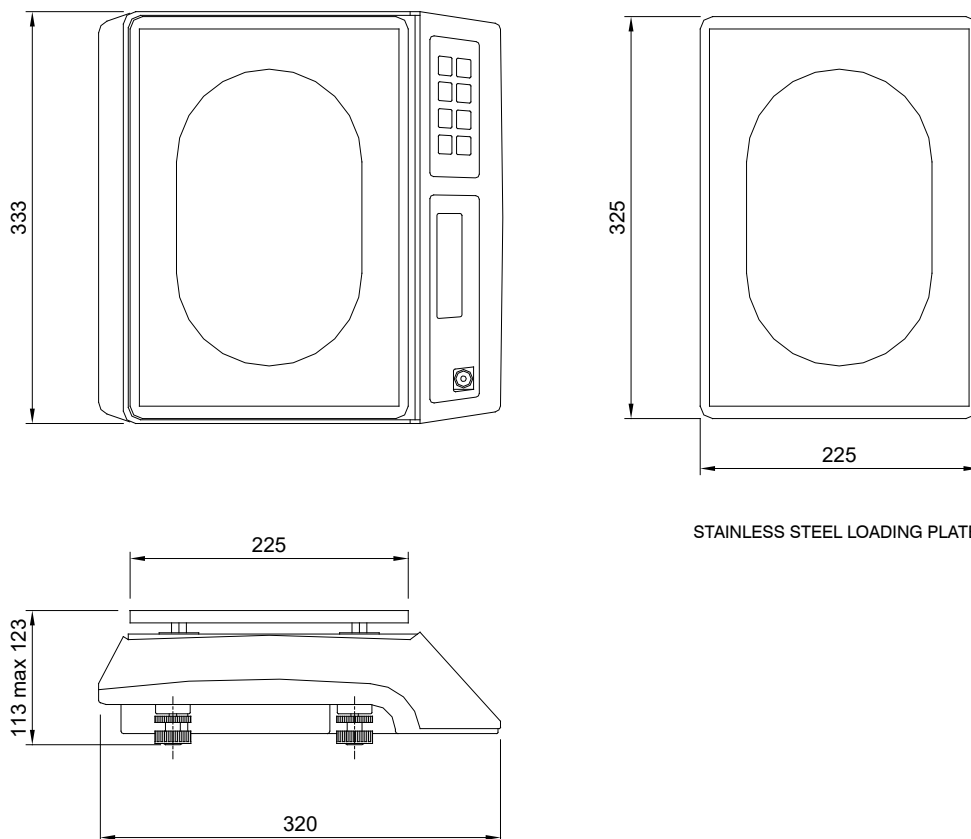
MAIN FUNCTIONS

- Weight indication.
- Piece counting.
- Weight indication as a percentage.
- RS232 output for connection to PC.
- Weight checking (HIGH/LOW) with acoustic alarm.

CERTIFICATIONS

CERTIFICATIONS ON REQUEST	CODE
✓ Accredia traceable calibration report	TARATURA50

DIMENSIONS (mm)



TECHNICAL FEATURES

Power supply	230 VAC \pm 10%
Internal battery	4 V, 4 Ah capacity
Linearity	< 0.01% full scale
Display resolution	30000
Units of measure	kg, lb
Serial port	RS232
Baud rate	1200, 2400, 4800, 9600 (bit/s)
Humidity (condensate free)	< 85%
Storage temperature	-10 °C +50 °C
Working temperature	0 °C +40 °C