



Counting scales connectable to remote weighing platform for weighing and counting of the large quantities:

- ACN / AIN / MN single cell platforms
- P / P-INOXN 4 cells platforms

CAPACITY	kg	DIVISION	(g)	NET WEIGHT	(kg)	CODE
6		e=0.1		4.8		BIL2B6
15		e=0.2		4.8		BIL2B15
30		e=0.5		4.8		BIL2B30

### DESCRIPTION

- Stainless steel plate.
- RS232 output for connection to PC or external printer.
- Remote platform input (connector included).
- 3x 6-digit backlit LCD display (20 mm height).
- 20-key waterproof keyboard.
- Bubble level and adjustable feet.
- 6 V rechargeable internal battery, 4 Ah capacity.
- Operating time: 70 hours.
- Power supply included.
- Auto power-off.

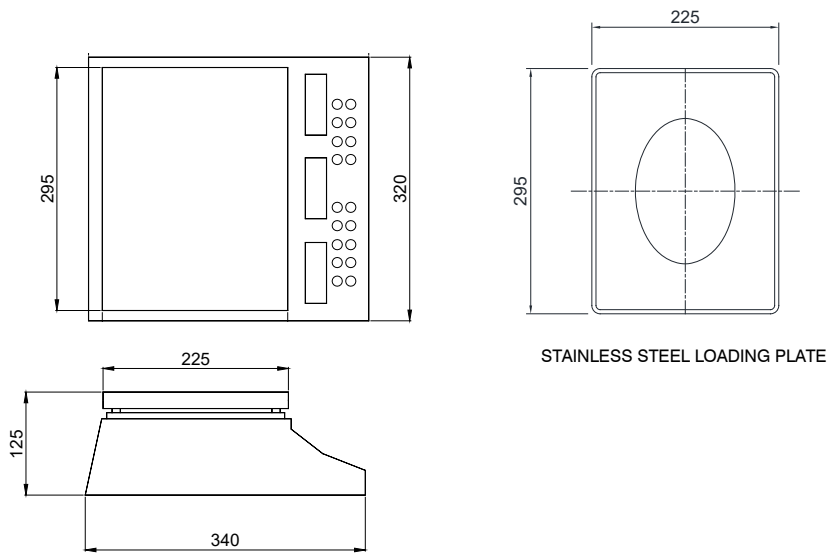
### MAIN FUNCTIONS

- Piece counting with simultaneous display of: number of pieces, average unit weight, total weight of the pieces on the scale.
- 100 storable items (PLU) with the following parameters: name, preset tare value, average unit weight.
- Automatic/manual totalization of the weighings.
- Weight indication as a percentage.
- Weight/pieces/percentage checking (HIGH/LOW) with acoustic and visual alarm.
- Optional receipt printing via STAVT II external printer: customizable header, date, time, item name, scale ID, scale type, net weight, average unit weight, number of pieces on the scale, total weight, total number of pieces.

### CERTIFICATIONS

CERTIFICATIONS ON REQUEST	CODE
✓ Accredia traceable calibration report	TARATURA50

### DIMENSIONS (mm)



STAINLESS STEEL LOADING PLATE

### TECHNICAL FEATURES

Power supply	230 VAC $\pm$ 10%
Internal battery	6 V, 4 Ah capacity
Linearity	<0.01% full scale
Display resolution	60000
Units of measure	g, kg
Serial port	RS232
Remote platform input	5-pin circular connector (included)
Baud rate	600, 1200, 2400, 4800, 9600 (bit/s)
Humidity (condensate free)	<85%
Storage temperature	-10 °C +50 °C
Working temperature	0°C +40°C

### OPTIONS ON REQUEST

	DESCRIPTION	CODE
	Stainless steel deep tray. Dimensions: 230x300x40 mm.	PIATTOBAC
	Panasonic rechargeable battery mod. LC-R064R5P - 6 V, 4.5 Ah capacity.	BATTERIA6V4AH
	Desktop thermal printer.	STAVTII

The Company reserves the right to make changes to the technical data, drawings and images without notice.