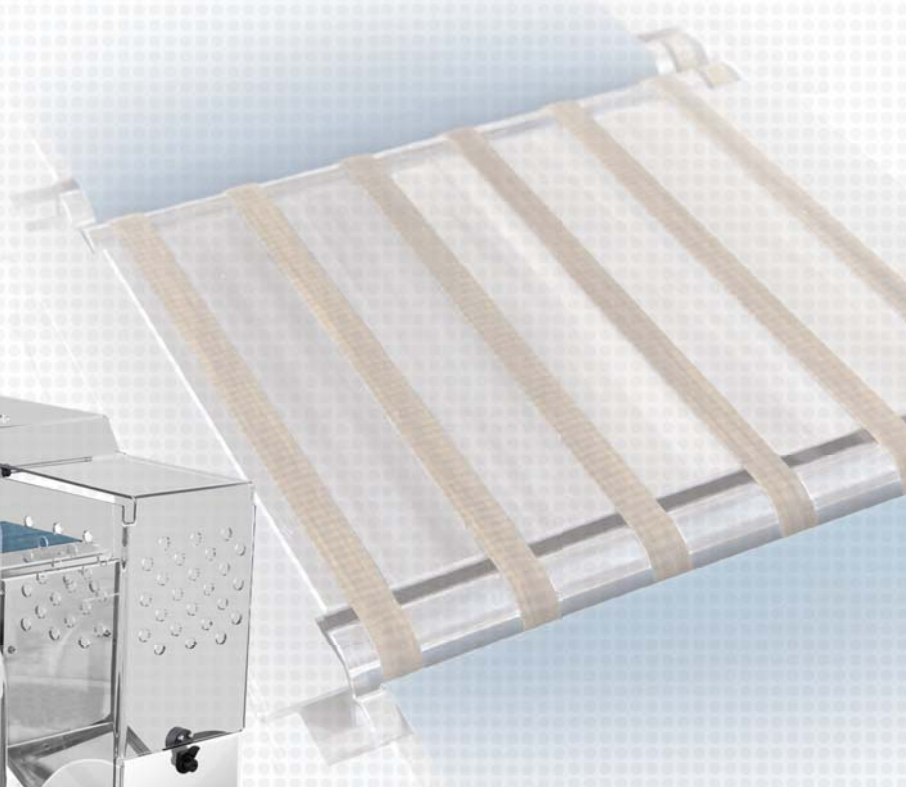


PRISMA

P A R M A I T A L Y



checkweigher 01T3





discover all the details on our web-site!



Technical Specifications

| | |
|---------------------------------|--|
| Weighing range | up to 600 g |
| Display division | from 0,1 g |
| Linear speed | up to 100 m/min |
| Throughput | up to 500 ppm |
| Accuracy* | from ± 0,1 g |
| Pneumatic supply | 0,6 Mpa |
| Air consumption (for ejection) | 1 NI |
| Power supply | 230V 50/60Hz single phase |
| Power consumption | 700 W |
| Mirror finishing of metal parts | Stainless Steel IP54 |
| Climatic environment | from 5°C up to +40°C non-condensing (closed) |

*depending on the weight, dimensions and type of product

Electronics

T3



- Digital electronics with PC Mainboard mini-ITX
- 10,4" TFT color display with touch screen panel
- Windows 10 IoT operating system
- 200 storable product programs

D3



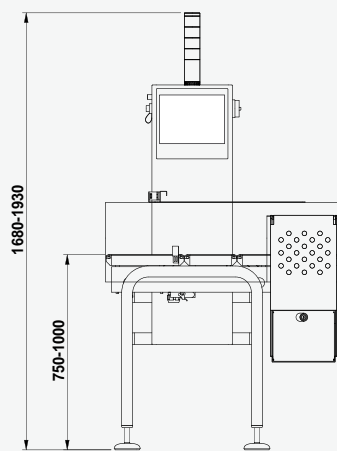
- Digital electronics with alphanumeric graphic display
- 100 storable product programs

Equipment

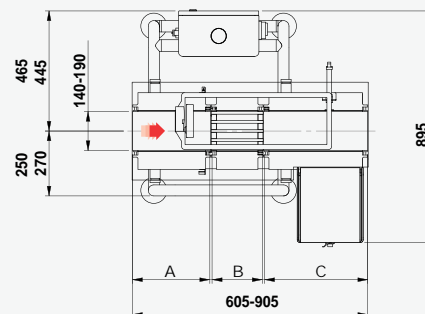
- Electronic self-calibration device
- Mobile average function
- Conformity with standards ISO - FDA - HACCP - GMP - CE
- 2 RS232 serial ports
- 3 levels password access protection
- Production data management in conformity with the standards in force

Optional

- Ejection systems
- Alarms notification
- Reject management systems
- USB interface
- Wind-prevention tunnel
- Ethernet interface for Industry 4.0 compliance
- 24-columns panel printer
- Products programs memory expansion
- Special conveyors
- Feed-back function
- Open flap control device
- FAT/SAT, IQ/OQ validations, CFR21 part 11
- Separated electronic equipment
- MID Certification



RUNNING DIRECTION TO CLIENT'S SPECS



| Plates configuration | | |
|----------------------|----------|---------|
| Infeed | Weighing | Outfeed |
| A | B | C |
| 200 | 200 | 200 |
| 200 | 300 | 400 |
| 300 | 200 | 400 |



The manufacturer reserves the right to change the product specifications without notice. The image and the drawing are indicative of one of the possible configurations of the machine.