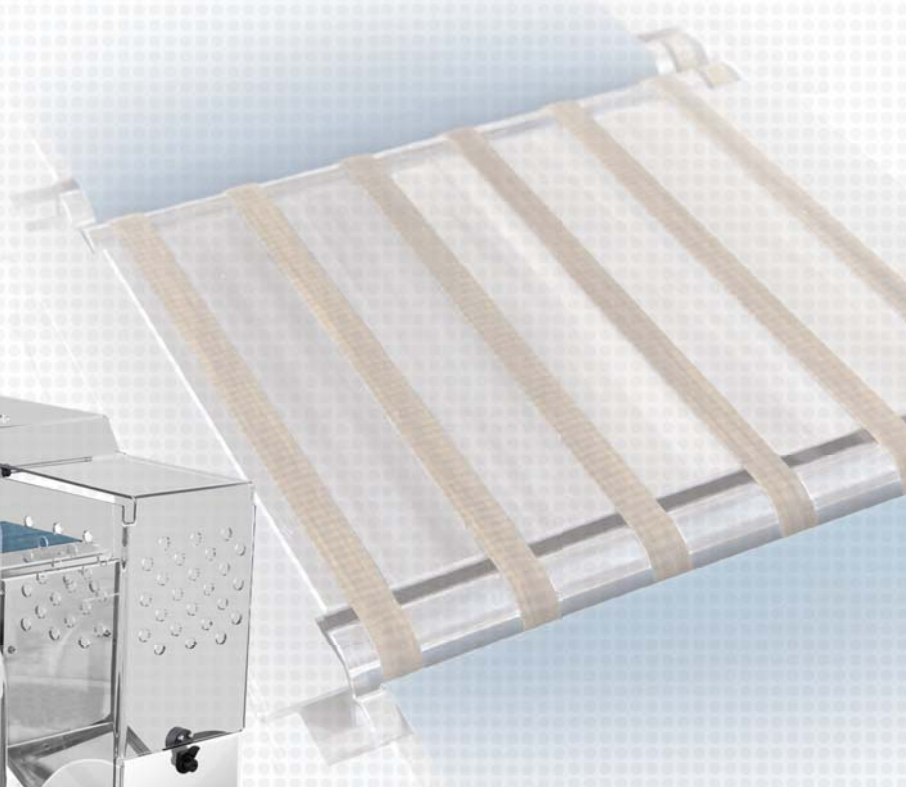


# PRISMA

P A R M A I T A L Y



checkweigher  
**01W3**





discover  
all the details  
on our web-site!

## Technical Specifications

Weighing range	up to 600 g
Display division	from 0,01 g
Linear speed	up to 100 m/min
Throughput	up to 500 ppm
Accuracy*	from $\pm 0,05$ g
Pneumatic supply	0,6 Mpa
Air consumption (for ejection)	1 NI
Power supply	230V 50/60Hz single phase
Power consumption	700 W
Mirror finishing of metal parts	Stainless Steel IP54
Climatic environment	from 5°C up to +40°C non-condensing (closed)

\*depending on the weight, dimensions and type of product

## Electronics

### T3



- Digital electronics with PC Mainboard mini-ITX
- 10,4" TFT color display with touch screen panel
- Windows 10 IoT operating system
- 200 storable product programs

### D3



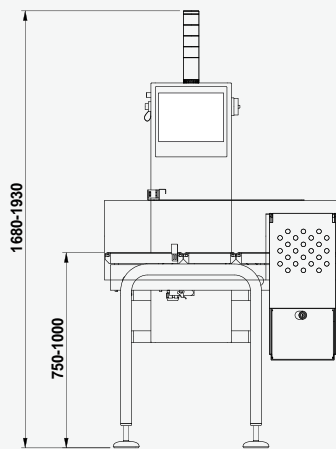
- Digital electronics with alphanumeric graphic display
- 100 storable product programs

## Equipment

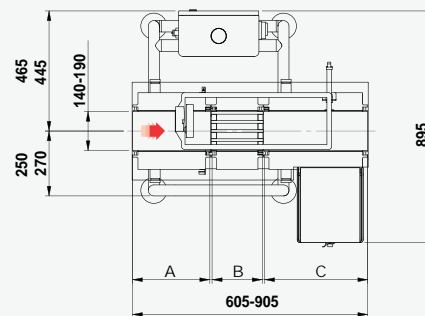
- Electromagnetic load cell
- Electronic self-calibration device
- Conformity with standards ISO - FDA - HACCP - GMP - CE
- 3 levels password access protection
- Mobile average function
- 2 RS232 serial ports
- Production data management in conformity with the standards

## Optional

- Ejection systems
- Reject management systems
- Wind-prevention tunnel
- 24-columns panel printer
- Special conveyors
- Open flap control device
- Separated electronic equipment
- Alarms notification
- USB interface
- Ethernet interface for Industry 4.0 compliance
- Products programs memory expansion
- Feed-back function
- FAT/SAT, IQ/OQ validations, CFR21 part 11



SENSO DI MARCIA ESEGUIBILE A RICHIESTA



Plates configuration		
Infeed	Weighing	Outfeed
A	B	C
200	200	200
200	300	400
300	200	400



The manufacturer reserves the right to change the product specifications without notice. The image and the drawing are indicative of one of the possible configurations of the machine.